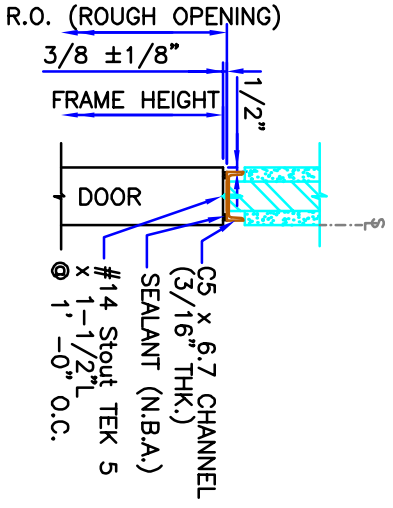
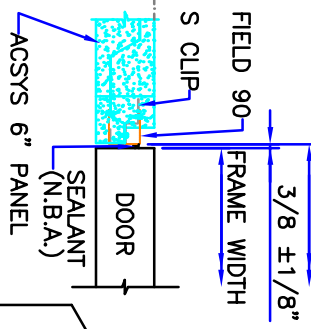


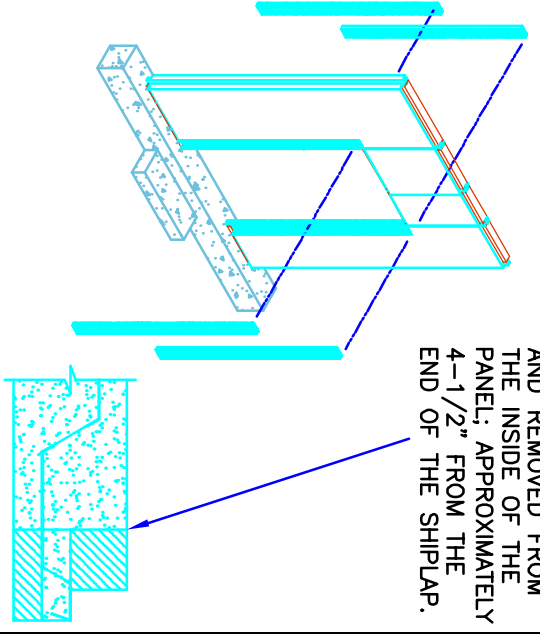
SIDE VIEW



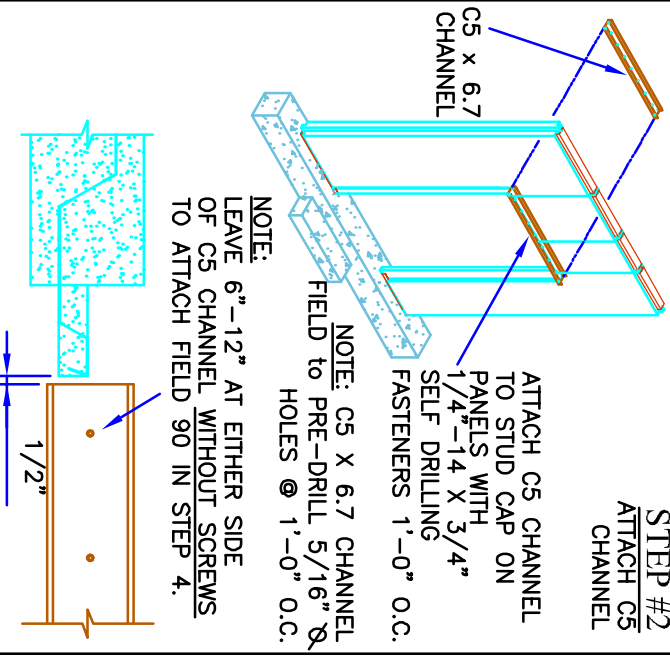
TOP VIEW
 R.O. (ROUGH OPENING)



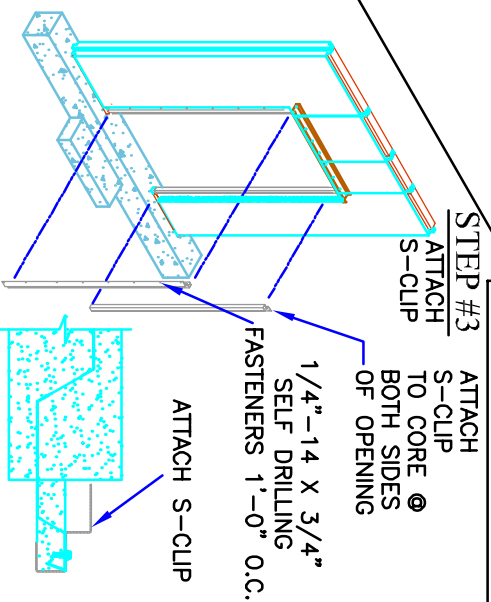
STEP #1
 FIELD CUT FOAM



STEP #2
 ATTACH C5 CHANNEL



STEP #3



STEP #4
 ATTACH FIELD 90

