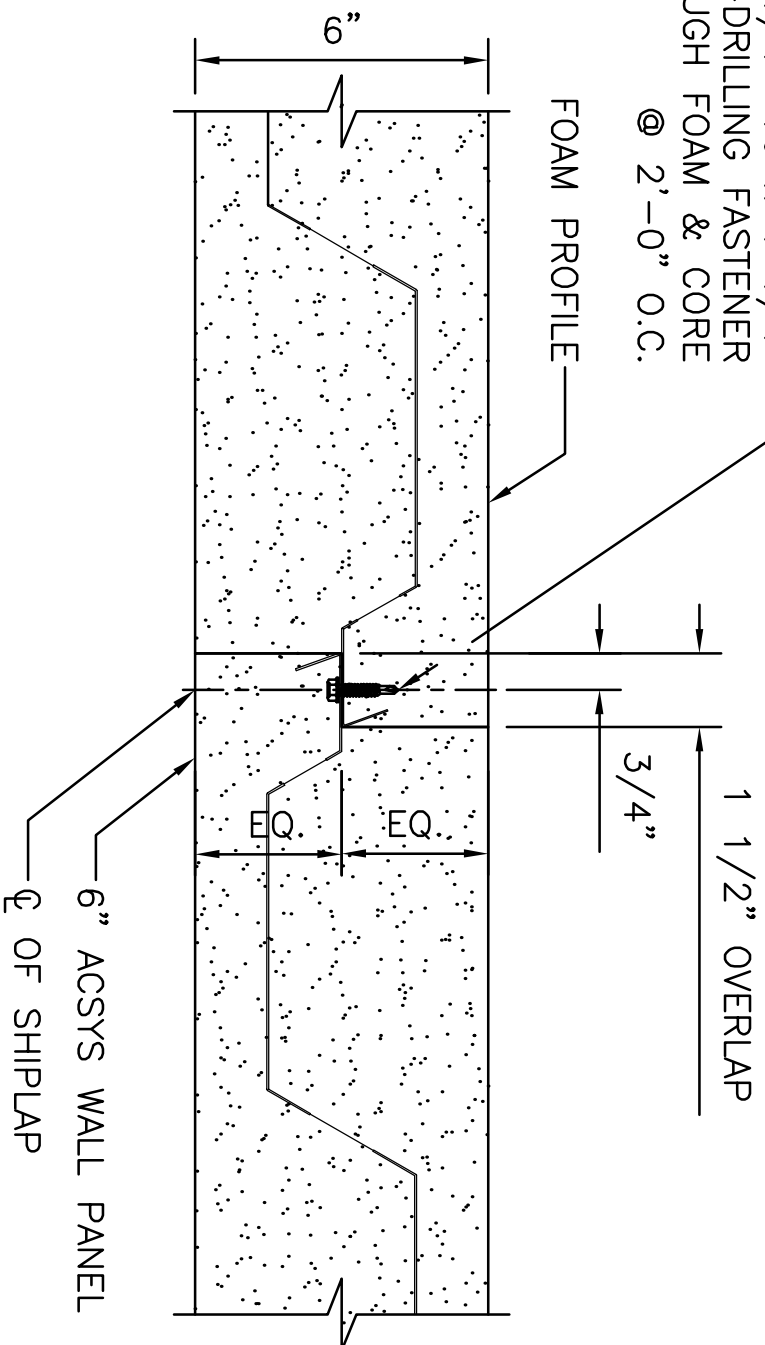


BLUE FASTENER

ATTACH w/ 1/4"-16 x 1 1/4"
SELF-DRILLING FASTENER
THROUGH FOAM & CORE
@ 2'-0" O.C.



C655 SHIPLAP WITH NEW FASTENER DETAIL

ACSYS

REV DATE
12-11-07